

FEATURES & BENEFITS

CONSTRUCTION

FDA approved high-density green polyethylene tank provides the light and durable construction required in a portable unit.

MOUNTING

J-shaped stainless steel wall bracket makes for a well constructed portable mount for easy removal and re-mount.

FLOW CONTROLS

Pulling down the eyewash arm will begin flushing the 9 gallon (34.1 L) portable tank at .4 gpm (1.5 L) for a full 15 minutes, which in turn will create a full patterned flushing of the eyes.

DESIGN

Tank comes complete with a wide-fill opening and threaded cap for quick inspection, cleaning, and filling. Unit also comes equipped with top and side handles making relocation simple.



OPTIONS

- Water Additive: Model 9082, 'sterile' bacteriostatic preservative for use in portable eyewash stations. One 5 oz. (148 ml) bottle will preserve 5 to 20 gallons (18.9 to 75.7 L) of potable water for up to three months. Four bottles per carton.
- Waste Container: Model 9009 is a twenty gallon (75.7 L) wastewater container constructed of tough yellow polymer resin. Unit is used to collect water during weekly testing of emergency equipment.

To see all options for this model, visit www.hawasco.com

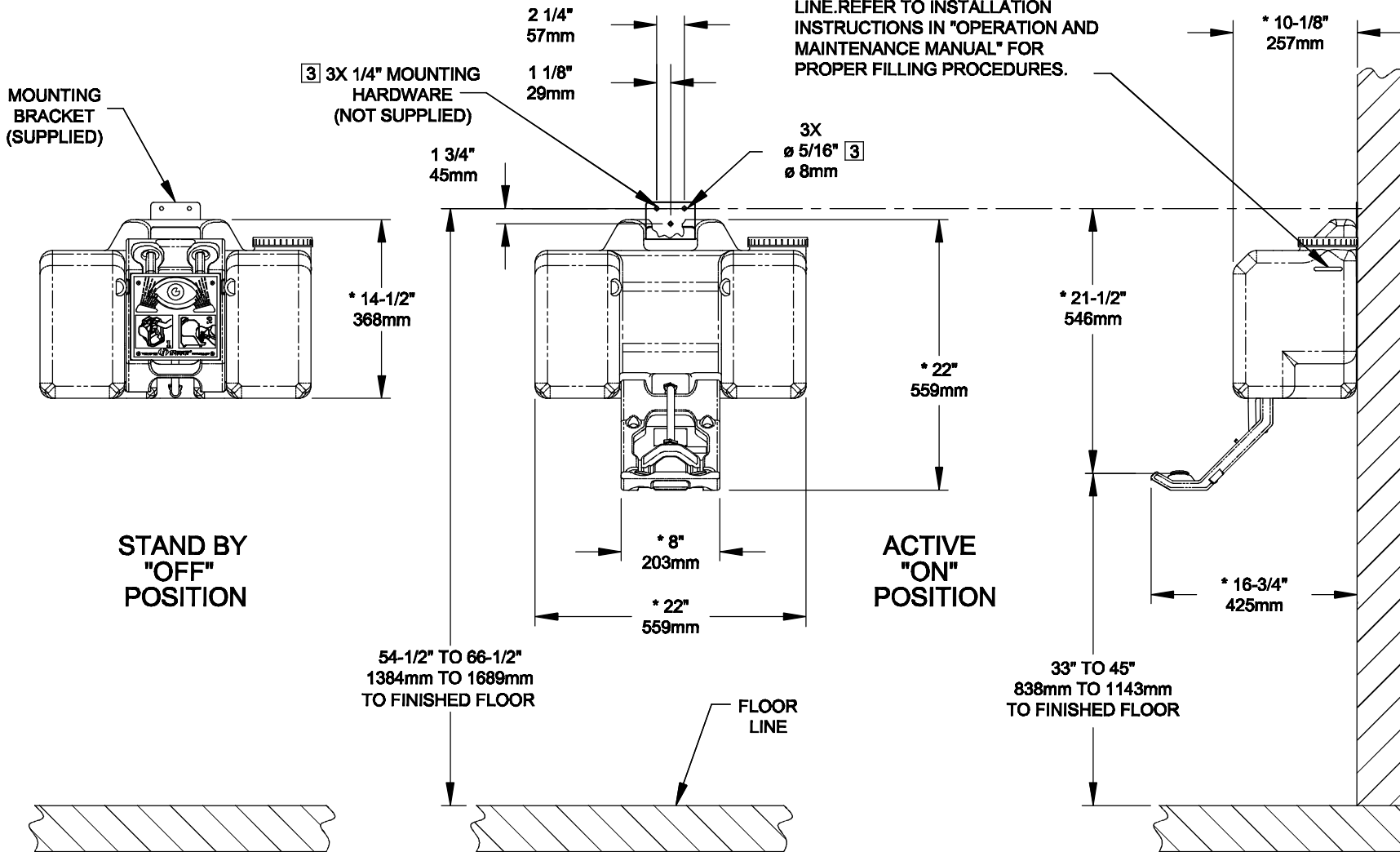
SPECIFICATIONS

Model 7501 portable gravity operated eyewash shall include a FDA approved high-density green polyethylene 9 gallon (34.1 L) tank, ABS plastic eyewash heads with .4 gpm (1.5 L) flow rate over 15 minutes, yellow pull-down activation arm, integral handle on top, wide-fill threaded cap, sign-mounted operating instructions, and stainless steel wall bracket (unit must be hung). Additive not included - Order separately.

APPLICATIONS

Where the eyes of any person may be exposed to injurious or corrosive materials, when suitable facilities for quick flushing of the eyes needs to be provided and a continuous supply of water is not available. Although the 7501 may be installed in a wide variety of locations, it is ideal for the remote and low traffic areas where protective measures are still needed. Emergency eyewash facilities shall be in unobstructed and accessible locations that require no more than 10 seconds for the injured person to reach. Model 7501 is certified by CSA to meet the ANSI Z358.1 Standard for Emergency Eyewash and Shower Equipment.

DO NOT EXCEED WATER FILL LINE. REFER TO INSTALLATION INSTRUCTIONS IN "OPERATION AND MAINTENANCE MANUAL" FOR PROPER FILLING PROCEDURES.



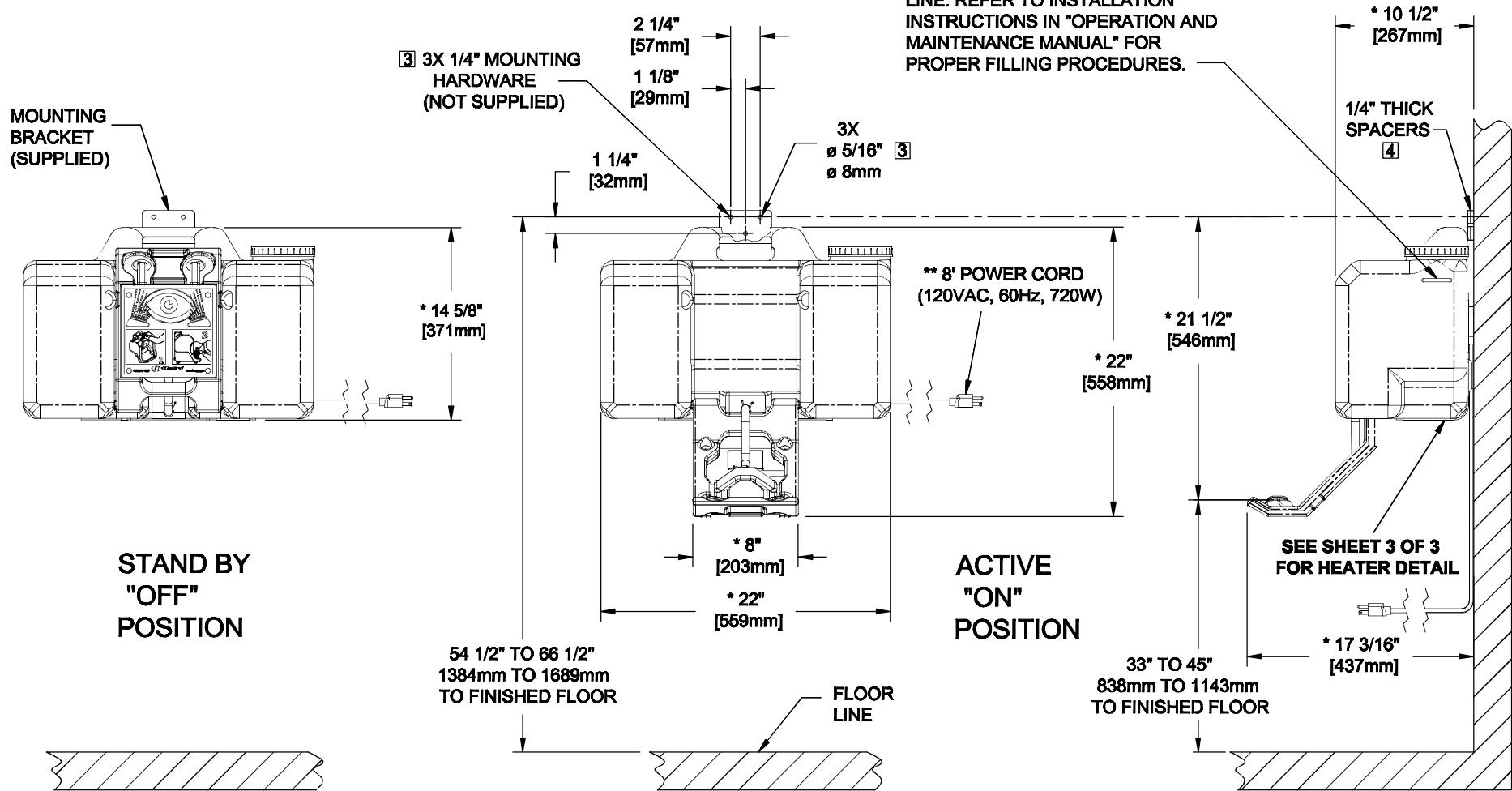
NOTES:

- TO COMPLY WITH ANSI Z358.1-2009 FOR EMERGENCY EYEWASH OR EYE/FACE WASH AND SHOWER EQUIPMENT:
 - UNIT SHALL BE INSTALLED IN ACCORDANCE WITH MANUFACTURER'S INSTRUCTIONS AND ACCEPTABLE PLUMBING PRACTICES.
 - EYEWASH OR EYE/FACE WASH SHALL BE POSITIONED WITH NOZZLES NOT LESS THEN 83.8 CM (33 IN.) AND NO GREATER THAN 114.3 CM (45 IN.) FROM SURFACE ON WHICH USER STANDS AND 15.3 CM (6 IN.) MINIMUM FROM WALL OR NEAREST OBSTRUCTION.
- UNIT MUST BE LEVEL FROM FRONT TO BACK AND SIDE TO SIDE.
- ALL THREE MOUNTING HOLES ON MOUNTING-BRACKET MUST BE USED TO PROPERLY SECURE EYEWASH UNIT TO WALL.
- *DIMENSIONS MAY VARY ±1/2" [12.7mm].

MODEL 7501 (SHOWN)
MODEL 7501FP - WITH HEATER (SEE SHEET 2 OF 3)

		1455 KLEPPE LANE SPARKS, NEVADA 89431 (775) 359-4712 FAX (775) 359-7424 E-MAIL: HAWS@HAWSO.COM WEBSITE: WWW.HAWSO.COM	
		ECN NO. REVISED PER BY: ECN: 4742 HM	MODEL(S) 7501 / 7501FP PORTABLE EYEWASH
DRAWN: RTM	DATE: 5/19/04	CHKD.: HM	DRAWING NO. 15153A00
APPROVED:	DATE:	SCALE: 1:12	SHEET 1 OF 3
		DRAWING TYPE: INSTALLATION	REV 11


DO NOT EXCEED WATER FILL LINE. REFER TO INSTALLATION INSTRUCTIONS IN "OPERATION AND MAINTENANCE MANUAL" FOR PROPER FILLING PROCEDURES.

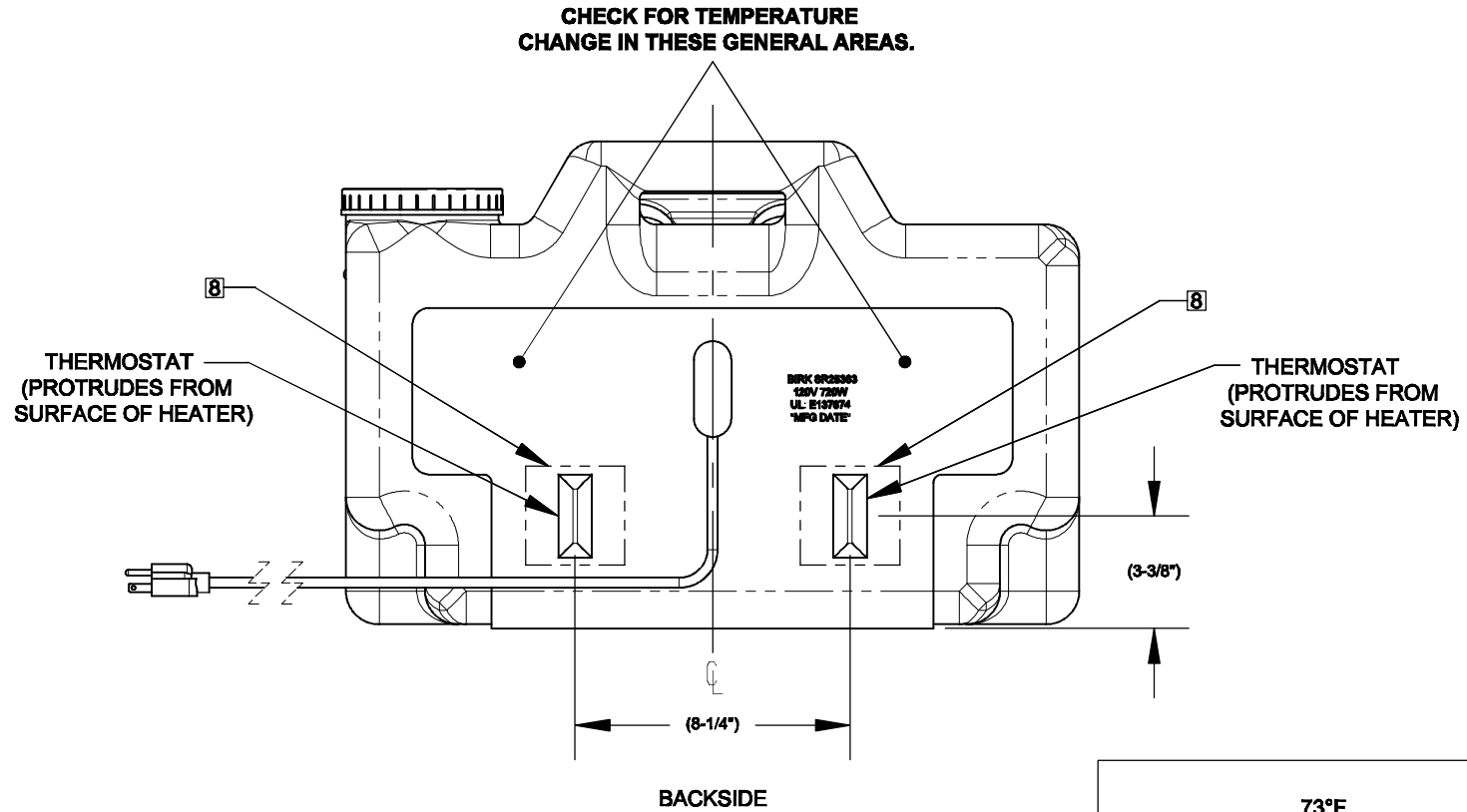


NOTES:

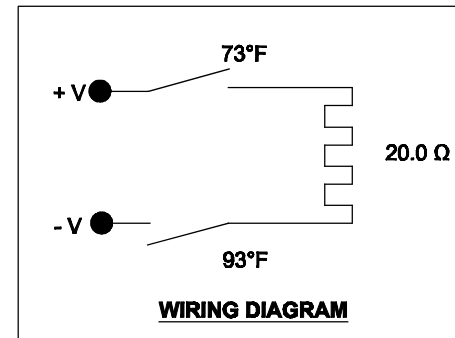
1. TO COMPLY WITH ANSI Z358.1-2009 FOR EMERGENCY EYEWASH OR EYE/FACE WASH AND SHOWER EQUIPMENT:
 - UNIT SHALL BE INSTALLED IN ACCORDANCE WITH MANUFACTURE'S INSTRUCTIONS AND ACCEPTABLE PLUMBING PRACTICES.
 - EYEWASH OR EYE/FACE WASH SHALL BE POSITIONED WITH NOZZLES NOT LESS THEN 83.3 CM (33 IN.) AND NO GREATER THAN 114.3 CM (45 IN.) FROM SURFACE ON WHICH USER STANDS AND 15.3 CM (6 IN.) MINIMUM FROM WALL OR NEAREST OBSTRUCTION.
2. UNIT MUST BE LEVEL FROM FRONT TO BACK AND SIDE TO SIDE.
3. ALL THREE MOUNTING HOLES ON MOUNTING-BRACKET MUST BE USED TO PROPERLY SECURE EYEWASH UNIT TO WALL.
4. LOCATE TWO 1/4" THICK SPACERS (QTY. 6 SUPPLIED) BEHIND EACH HOLE IN THE MOUNTING BRACKET AS SHOWN.
5. * DIMENSIONS MAY VARY ±1/2" [12.7mm].
6. ** UNIT MUST BE FILLED WITH WATER BEFORE CONNECTING TO POWER SOURCE.
(NOTES CONTINUED ON SHEET 3 OF 3)

MODEL 7501FP - WITH HEATER (SHOWN)
MODEL 7501 (SEE SHEET 1 OF 3)

		1455 KLEPPE LANE SPARKS, NEVADA 89431 (775) 359-4712 FAX (755) 359-7424 E-MAIL: HAWS@HAWSCO.COM WEBSITE: WWW.HAWSCO.COM	
		ECN NO. REVISED PER BY: 4872 ECN: 4742 HM	MODEL(S) 7501 / 7501FP PORTABLE EYEWASH
DRAWN: P. FISCHER	DATE: 04/01/13	CHKD.: (blank)	DRAWING NO. 15153A00
APPROVED: (blank)	DATE: (blank)	SCALE: 1:12	DRAWING TYPE: INSTALLATION SIZE: A SHEET 2 OF 3



**MODEL 7501FP
HEATER DETAIL**



NOTES: (CONTINUED FROM SHEET 2 OF 3)

- 7. PRIOR TO SERVICING/CLEANING: UNPLUG POWER CORD ON UNIT FROM POWER SOURCE AND REMOVE UNIT FROM MOUNTING BRACKET.
- 8. EACH THERMOSTAT IS LOCATED IN THE CENTER OF A 3" X 3" NO HEAT ZONE. (SHOWN IN APPROXIMATE LOCATIONS). REFER TO OPERATIONS AND OWNERS MANUAL UNDER TROUBLESHOOTING "SECTION 7" (PAGE 4 OF 8) FOR HEATER ACTIVATION, ISSUES, AND TESTING.

		1455 KLEPPE LANE SPARKS, NEVADA 89431 (775) 358-4712 FAX (755) 358-7424 E-MAIL: HAWS@HAWSCO.COM WEBSITE: WWW.HAWSCO.COM	
		ECN NO. REVISED PER BY: 4872 ECN: 4742 HM	MODEL(S) 7501 / 7501FP
DRAWN: P. FISCHER	DATE: 04/01/13	CHKD.: DATE:	DRAWING NO. REV 15153A00 11
APPROVED:		SCALE: 1:12	DRAWING TYPE: INSTALLATION
SIZE: A		SHEET 3 OF 3	